



INNOV8 EQUIPMENT



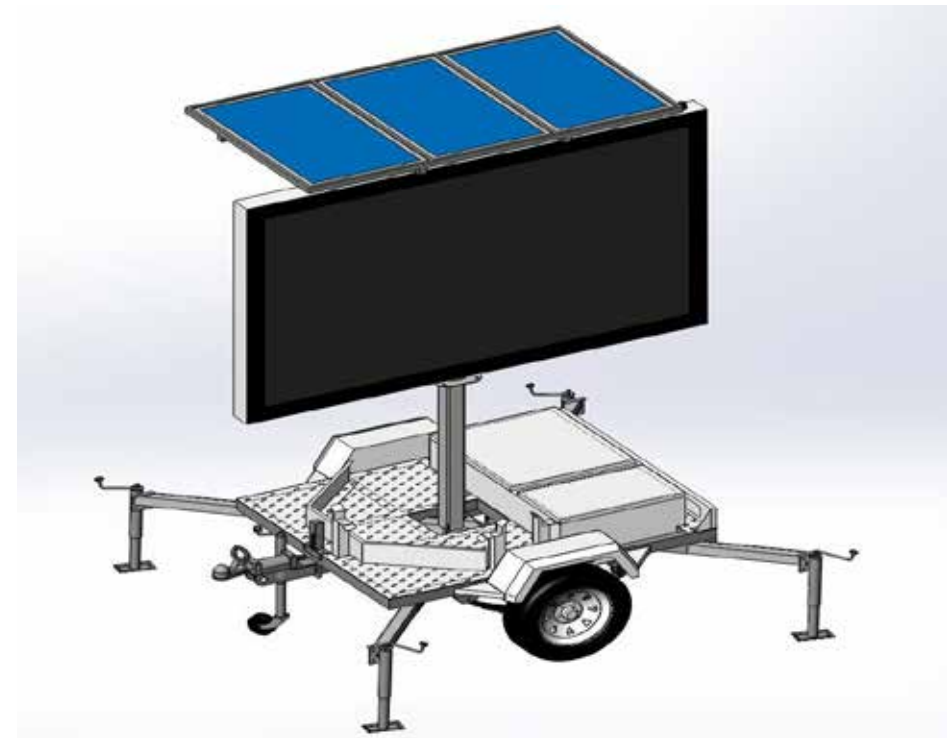


"C" SIZE FULL COLOUR VMS TRAILER WITH AGB RADAR STANDARD

The INNOV8 Equipment "C" Size Full Colour VMS Trailer with AGB Radar as standard, consists of a fully galvanized steel chassis and trailer components. All control boxes, panels and the sides and rear of the VMS head are painted white for high visibility. The VMS head is pushed vertically by an internal hydraulic cylinder, powered by the on board hydraulic power pack.

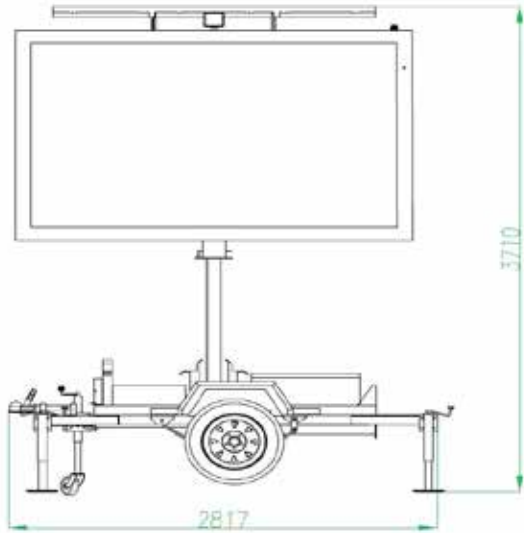
Technical Specification

- ✓ Full Colour VMS screen.
- ✓ Voltage 12 Volt.
- ✓ Display Area 1400H x 2400W.
- ✓ Resolution 28x43 Pixels.
- ✓ Pitch 50mm.
- ✓ Deep cycle batteries: 600AH
- ✓ Solar panels: 330W
- ✓ Solar Controller
- ✓ Hydraulic mast lifting system.
- ✓ Galvanized steel construction and trailer components.
- ✓ AGB Radar fitted to all boards as STANDARD.
- ✓ SMS programming from your mobile phone.
- ✓ GPS Tracking.
- ✓ 3G Connection and remote control via INTERNET.
- ✓ Intergrated Light & Temperature Sensor
- ✓ Australia Standard (AS 4852.2-2009)

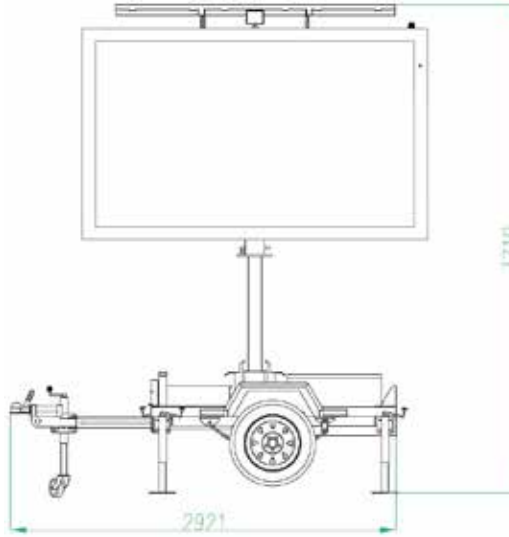


Some advantages of the INNOV8 Full Colour VMS Trailer

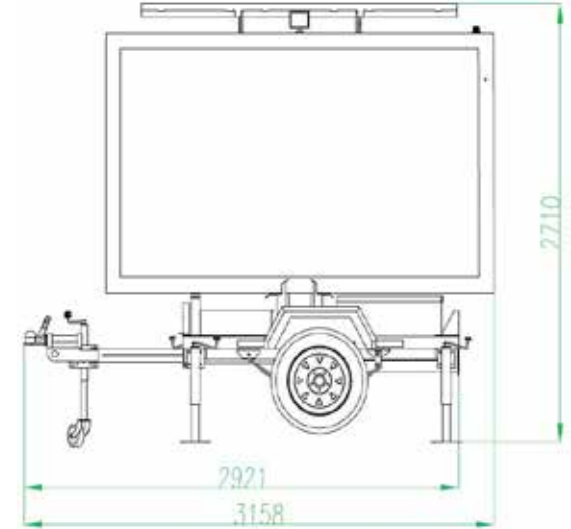
- ✓ Save 70% power consumption(max.) with the same brightness.
- ✓ Cost saving on solar panel and battery (reduced solar panel and battery capacities)
- ✓ Higher color contrast with the same brightness.
- ✓ Support full colour video with colour grey for advertisement application
- ✓ Modular design with optical lens design, EN12966 Certified, easier for installation and maintenance.
- ✓ Solar Controller



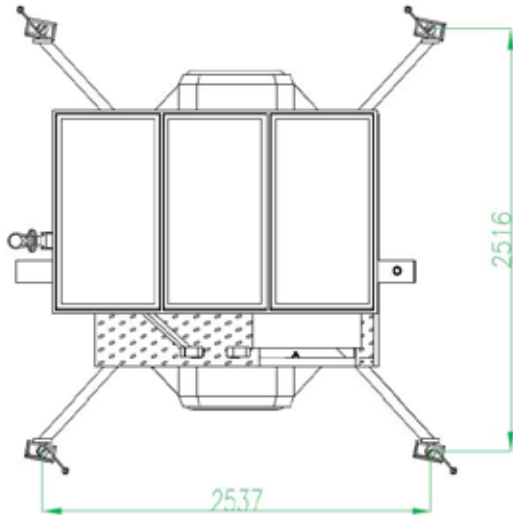
DRAW BAR RETRACTED



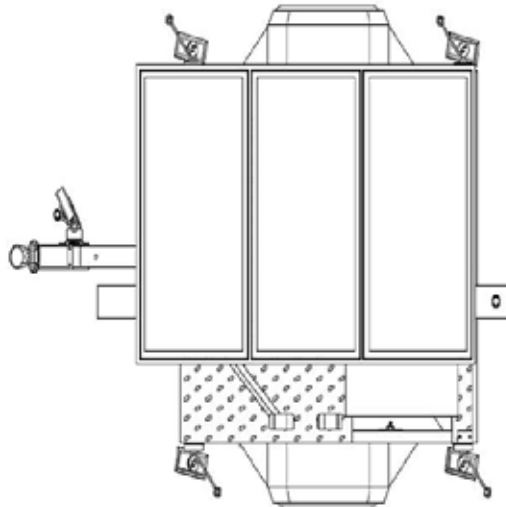
DRAW BAR EXTENDED



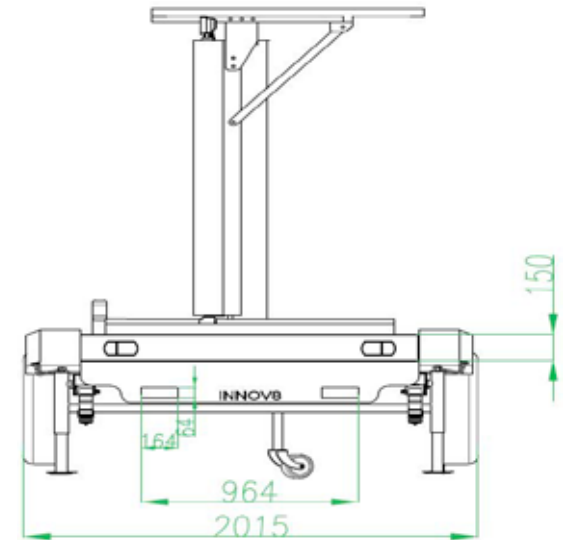
TRANSPORT MODE



DEPLOYED FOR USE DRAW BAR RETRACTED



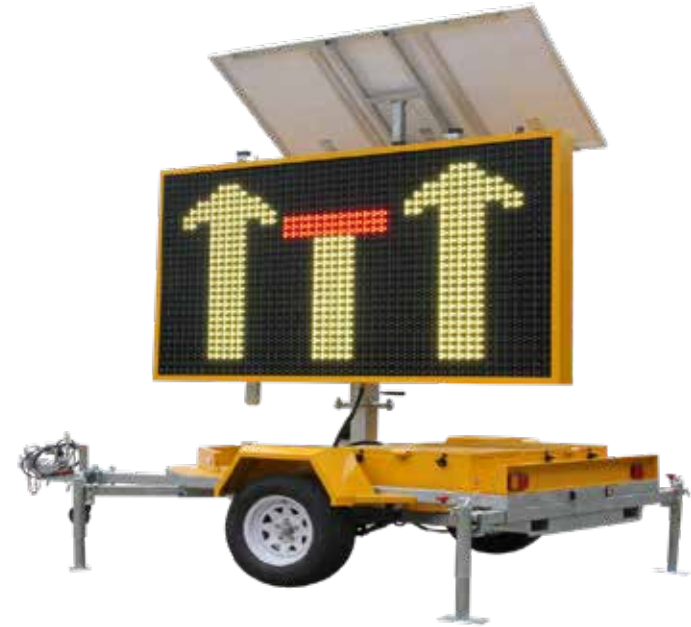
TRANSPORT MODE



TRANSPORT MODE REAR VIEW



Support full colour video with grey for advertisement application



Full text and image can be displayed



INNOV8-MC09 Touch Screen Hand Controller



Range of pre-programmed images