

# EURO CARGO E6 MLI60 THE TRUCK THE CITY LIKES



# E6

Overseas Model Shown

## INNOV8 EQUIPMENT

**Address:** 86 Mulgoa Road, Jamisontown NSW 2705

**Phone:** 1300 071 007



# EURO CARGO SPECIFICATIONS E6 MLI60

## DIMENSIONS (mm) WITH INNOV8 TRUCK MOUNTED ATTENUATOR (TMA)

Cab	Sleeper (Extra)
WB	5670
AF	7138 (TMA down)
L	14000 (TMA down)
H (unladen)	2759 (cabin height)
Turning circle* (kerb to kerb)	19260

\* For wall to wall, add 1180 mm

## MASS (kg)

Cab	Sleeper (Extra)
Kerb mass front axle	3410 (cab chassis only)
Kerb mass rear axle	1890 (cab chassis only)
Kerb mass total**	5260 (cab chassis only)
GVM	16T
GCM	N/A

\*\* Approximate only with low roof cab chassis with oil and coolant, full fuel without driver

## ENGINE

280 hp IVECO Tector 7 (6.7 litre 6 cylinder) high pressure common rail electronic injection, turbo charged and intercooled 24 valve four stroke diesel

**Maximum Output:** 280 hp @ 2,500 rpm

**Maximum Torque:** 1000 Nm @ 1250 rpm

**Emission Standard:** Euro 6 SCR (Selective Catalytic Reduction)

## TRANSMISSION

**Transmission:** Allison S3000 5 speed automatic transmission

## STEERING

**Type:** Power-assisted with gear-driven pump

**Diameter:** 470 mm steering wheel with tilt + telescopic adjustment

## FRONT AXLE & SUSPENSION

IVECO 5860

**Capacity:** 6100 kg

**Suspension:** Parabolic springs with dual-action hydraulic shock absorbers and stabiliser bar fitted

## REAR AXLE & SUSPENSION

Meritor MS10-164 with differential lock

**Capacity:** 11,000 kg

**Suspension Type:** Quad bellows, rear air bag suspension with dual-action hydraulic shock absorbers and stabiliser bar. Electronically Controlled Air Suspension (ECAS) including dual-rear levelling valves

**Rear Axle Ratio:** 4.3:1 (Allison Automatic transmission)

## BRAKES

**Type:** ESP + ABS + ASR with AEBS (Advanced Emergency Braking System), 2 circuit air system and Hill Holder

**Front / Diameter:** Ventilated disc brakes / 377 mm with floating calipers

**Rear / Diameter:** Ventilated disc brakes / 377 mm with floating calipers

**Parking Brake:** Spring-actuated park brake acting on rear wheels

**Other:** Exhaust brake and air dryer

## FUEL SYSTEM

280 litre square alloy tank and 30 litre AdBlue tank

- Fuel prefilter with water separator

## ELECTRICAL

**Type:** 24 Volt

24 Volt-12 Volt converter in cab

**Alternator Capacity:** 28 Volt, 90 amp

**Starter:** 24 Volt, 4.0 kW

**Battery:** 2 x 12 Volt-170 Ah

Automatic battery isolation switch

## CHASSIS

**Type:** Bolted parallel channel

**Size:** 255.4 x 70 x 7.7 mm external

**Width:** 855 mm

## WHEELS & TYRES

**Rim Size:** 19.5" x 8.25"

**Tyre Size:** 305/70 R19.5 tubeless radial

**Stud / Pattern:** M22, 8 x 275 mm PCD steel disc rims

## CAB

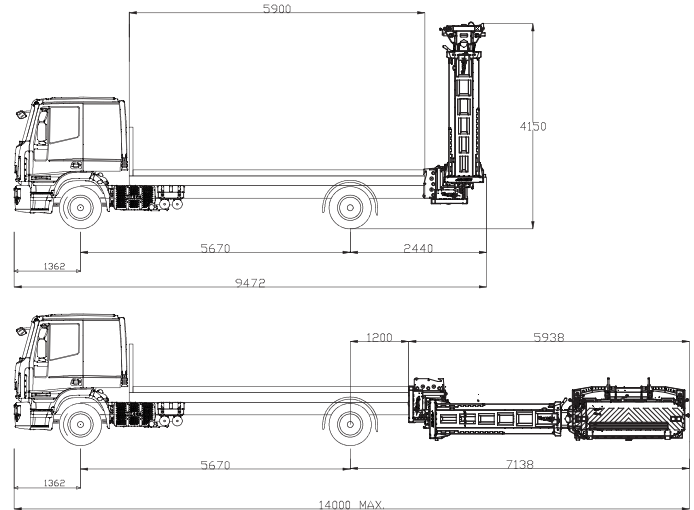
(MLL) Sleeper cab low roof with bunk, curtains, reading lamp, roof hatch and one internal and two external lockers

**Bunk Dimensions:** 1900 x 605 x 95 mm

Cab colour bumper

**Front Cab Suspension:** Two coil springs, shock absorbers and torsion bar

**Rear Cab Suspension:** Two units with coils springs. Hydraulic cab tilt to 57 degrees



## FEATURES

- Driver airbag
- ECE R29 compliant cab
- DRL (Daytime Running Lights)
- Sun filter windscreen
- 2 USB plugs
- Cards/coins holder
- Expansion module
- Lift-up front panel for daily checks
- Fully-adjustable Isringhausen driver's air-suspension seat with headrest
- Dual bench-passenger seat
- 2 x lap-sash seat belts for outboard positions, 1 x lap seat belt for centre position
- Bluetooth radio, CD player, multi functional steering wheel
- 90-degree opening doors
- Remote Central Locking
- Cruise control
- Stowage compartment in overhead console, both doors and rear cab wall
- 2-speed wipers with intermittent control
- Courtesy and map lamps
- Electric horn
- 12-volt power socket (10 amp)
- Electrically operated driver and passenger side windows
- Aerodynamic, remote-control heated mirrors with a convex, spotter and over-the-kerb mirror on the left-hand side
- Air conditioning

## INSTRUMENTATION

Electronic anti-glare instrument panel.

**Gauges:** Speedometer, odometer with trip meter, tachometer, water temperature, fuel level, oil pressure and air pressure

**Warning lamps:** Power-steering circuit failure, front and rear brake wear, high water temperature, air-cleaner restriction, cab unlatched, low alternator charge, high beam, exterior lights on, hazard warning lights on, low oil pressure, reserve fuel, park brake on, water in pre-filter, brake system failure

**LCD information panel:** System diagnostics, lighting system check, AdBlue level indicator, programmable maintenance scheduling, digital clock, trip 1 and 2 computer, fuel consumption indicator and ambient temperature

## OPTIONS:

- LDW (Lane Departure Warning)
- ACC (Adaptive Cruise Control)
- High roof on sleeper cab
- Air suspended single passenger seat
- Central office box (with single passenger seat in day cab only)
- Group backwards (only with chassis mounted air filter)
- Electric servo assisted cab tilt
- External sun visor