

NEW DAILY 50C CAB CHASSIS

# BUSINESS INSTINCT ↗



## INNOV8 EQUIPMENT

**Address:** 86 Mulgoa Road, Jamisontown NSW 2705

**Phone:** 1300 071 007



**INNOV8  
EQUIPMENT**

ENHANCEMENT FOR ENVIRONMENT & SAFETY

# DAILY SPECIFICATIONS 50C CAB CHASSIS

## DIMENSIONS (mm) WITH INNOV8 LIGHT TRUCK MOUNTED ATTENUATOR (LTMA)

<b>X</b>	Wheelbase	3750
<b>K</b>	Overall length	7500 (LTMA down)
<b>M</b>	Body Length	4135 (nominal)
<b>H</b>	Overall height unladen	2270 (cabin)
	Front track	1724
	Rear track	1542
<b>T</b>	Unladen frame height at end of frame	820
	Front ground clearance	196
	Rear ground clearance	177
<b>Y</b>	Rear overhang	1100 (chassis)
	Turning circle: kerb to kerb	13466
	Turning circle: wall to wall	14090

## BODY DIMENSIONS (mm)

Maximum body width	2350
--------------------	------

## MASS (kg)

GVM	5200
Front axle capacity	2100
Rear axle capacity	3700
Kerb mass front axle	1412 (cab chassis only)
Kerb mass rear axle	649 (cab chassis only)
Kerb mass total*	2061 (cab chassis only)
Payload capacity	3139 (cab chassis only)

\* Kerb masses are with minimal fuel, spare wheel, tools and no driver.

## ENGINE

170 hp IVECO FIC (EURO 5) 4 stroke diesel with direct-injection, Variable Geometry Turbocharger (VGT) and intercooler

**Maximum Output:** 170 hp @ 2900–3500 rpm

**Maximum Torque:** 430 Nm @ 1500–2600 rpm

**Emissions Technology:** Exhaust Gas Recirculation system

**Total Displacement:** FIC: 3.0 litre

**Exhaust:** Muffler horizontally positioned on the right side and tailpipe located mid-way down right side of vehicle

**Optional Engine:** 205 hp IVECO FIC (EURO 5) 4 stroke diesel with direct-injection, Twin Stage Turbo (TST) and intercooler

**Maximum Output:** 205 hp @ 3100–3500 rpm

**Maximum Torque:** 470 Nm @ 1400–3000 rpm

## TRANSMISSION

**Transmission:** 8-speed ZF Torque Converter Automatic (Hi-Matic)

**Type:** 8V470A (170 hp / 205 hp)

1st 4.696, 2nd 3.130, 3rd 2.104, 4th 1.667, 5th 1.285, 6th 1.000, 7th 0.839 OD, 8th 0.667 DOD, Rev. 3.297

## STEERING

**Type:** Power steering

**Diameter:** 390 mm diameter steering wheel with telescopic adjustment

## FRONT AXLE & SUSPENSION

IVECO 5819

**Capacity:** 2100 kg

**Suspension Type:** Independent with adjustable steel torsion bar

## REAR AXLE & SUSPENSION

IVECO 450511 full-floating single reduction

**Capacity:** 3700 kg

**Suspension Type:** Semi-elliptical spring

**Rear Axle Ratio:** 3.91:1 (170 hp) / 3.60:1 (205 hp)

**Optional Suspension:** ECAS – Rear air suspension

**Optional Differential:** Driver Controlled Differential Lock

## BRAKES

**Type:** ESP 9 + ABS + ASR 9 with EBD (Electronic Brakeforce Distribution) and Hill Holder

**Front / Diameter:** Ventilated disc brakes / 290 mm

**Rear / Diameter:** Disc brakes / 290 mm

**Parking Brake:** Manual brake operating on rear axle

**Service Brakes:** Dual circuit with vacuum servo

Pad wear warning light for front and rear brakes

## FUEL SYSTEM

100 litres with fuel cap location on passenger side

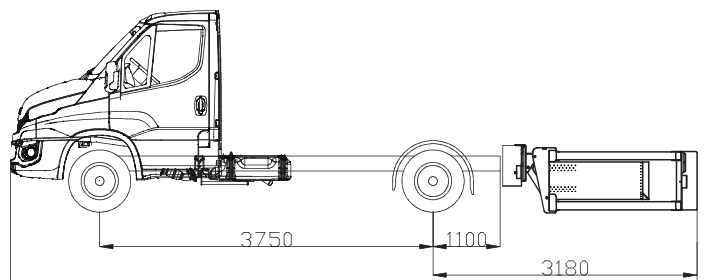
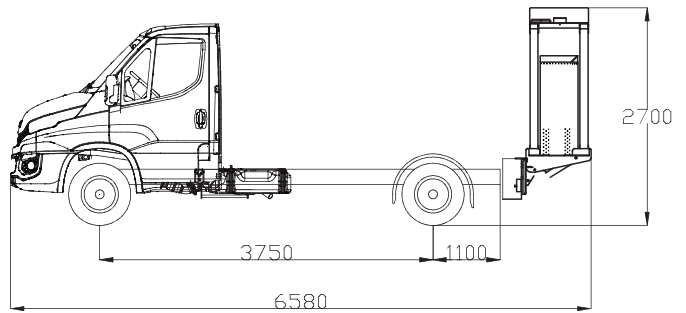
## ELECTRICAL SYSTEM

**Type:** 12 Volt

**Battery:** 12 Volt–110 Ah

**Smart Alternator:** 12 Volt–180 A

Trailer wiring to rear of chassis



## CHASSIS

**Type:** C Section steel longitudinal side members with tapered ends and tubular cross members

## WHEELS & TYRES

**Wheels:** Steel 5J x R16

- Spare wheel included
- Dual rear wheels

**Tyre Size:** 195/75 R16

## CABIN FEATURES

- Driver, passenger and curtain airbags with seat belt pretensioners
- Fixed driver seat
- Dual bench passenger seats with headrests, extractable table and storage underneath
- Cruise control
- Electric windows
- Exterior mirror with integrated wide angle and direction indicators, heated and electronically adjustable
- Overhead console with storage shelf and space for additional equipment
- Large dual storage pockets in doors
- Document storage compartment
- Body builder connections
- Additional in-dash storage
- Manual air conditioning

## LIGHTS

- Day time running lights

## DASHBOARD

- Analogue electronic speedometer
- Analogue electronic tachometer
- Fuel level gauge with reserve light indicator
- Coolant temperature gauge with high temperature indicator light
- Instrument light dimmer switch
- Dash-mounted gear lever
- 3 storage areas on top of dash
- LCD Display Panel includes: odometer, trip computer with distance, time, fuel consumption etc; headlamp orientation, clock, speed limit exceeding, external temperature and service indicator
- MP3 player; USB and AUX connectivity, Bluetooth with steering wheel controls

## SECURITY

- Central locking with remote control
- Steering lock
- Engine immobiliser