



## VMS Board - “A Size”

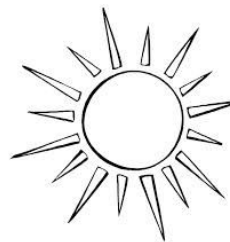
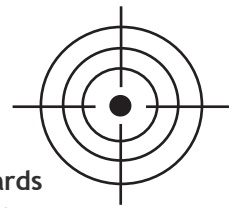
The INNOV8 Equipment “A Size” full colour VMS Board trailer with AGD Radar as standard, consists of a fully galvansied steel chassis and trailer components. All control boxes, panels and the sides and rear of the VMS head are painted white for high visibility. The VMS head is pushed vertically by an internal hydraulic cylinder, powered by the on board hydraulic power pack.

### Product Information

- » Full colour, LED VMS screen
- » Display Area: 960H x 1600W
- » Voltage: 12 Volt
- » Resolution: 48 x 80 Pixels
- » Pitch 20mm
- » Deep cycle batteries: 600AH
- » Solar panels: 220W
- » Solar controller
- » Hydraulic mast lifting system
- » Galvanized steel construction and trailer components for durability
- » SMS programming from your mobile phone
- » GPS tracking
- » AGD radar fitted as standard
- » 3G connectivity and remote control via the internet
- » Intergrated light and temperature sensor
- » Australian Standard (AS 4852.2-2009)

### Radar Is Standard

All INNOV8 Equipment VMS Boards come equipped with AGD Radar fitted as standard.



### Reduce Power Consumption

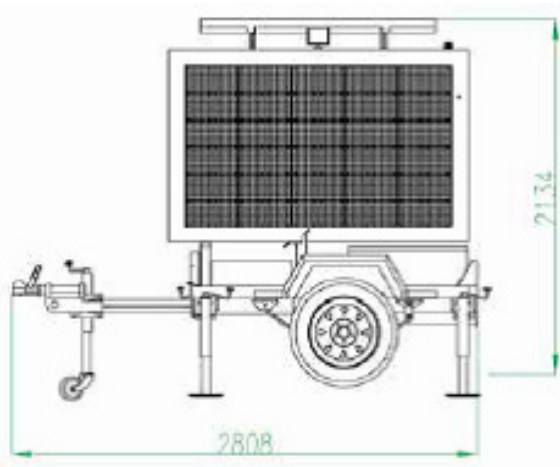
Using solar power, save 70% (max) in power consumption with the same brightness.

### Advantages

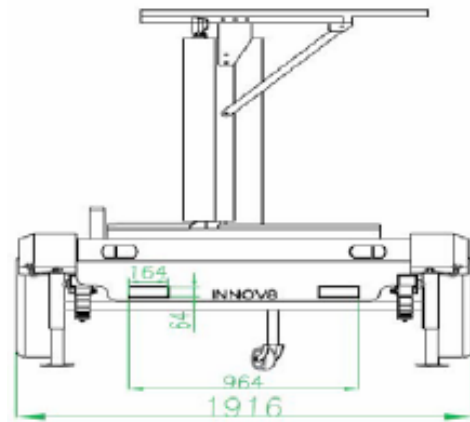
- » Save 70% power consumption (max.) with the same brightness
- » Cost saving on solar panel and battery (reduced solar panel and battery capacities)
- » Higher colour contrast with the same brightness
- » Support full colour video with colour grey for advertisement application
- » Modular design with optical lens design, EN12966 Certified, easier for installation and maintenance
- » Solar controller



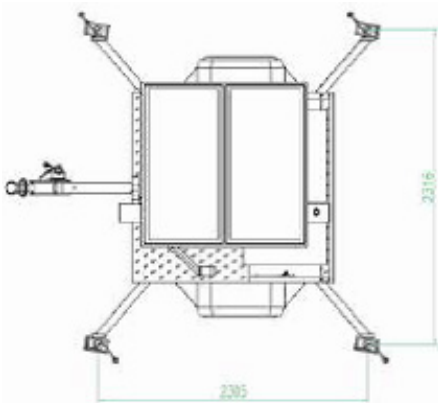
## VMS Board - "A Size"



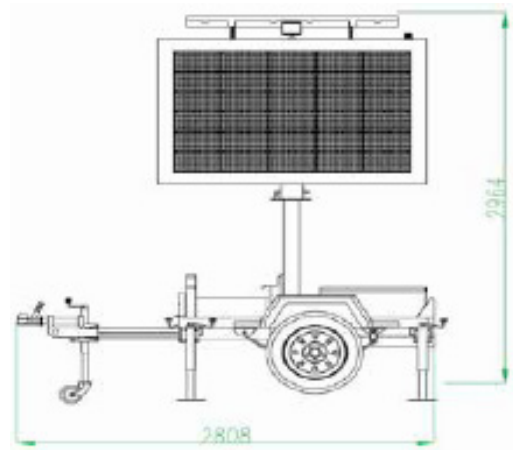
Draw Bar Retracted



Transport Mode Rear View



Deployed for use, top view



Draw Bar Extended



INNOV8-MC09 Touch Screen Hand Controller