

# INNOV8 EQUIPMENT

## Video Board



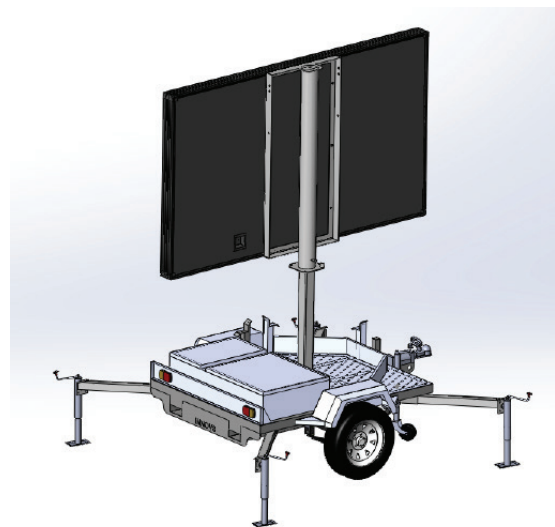
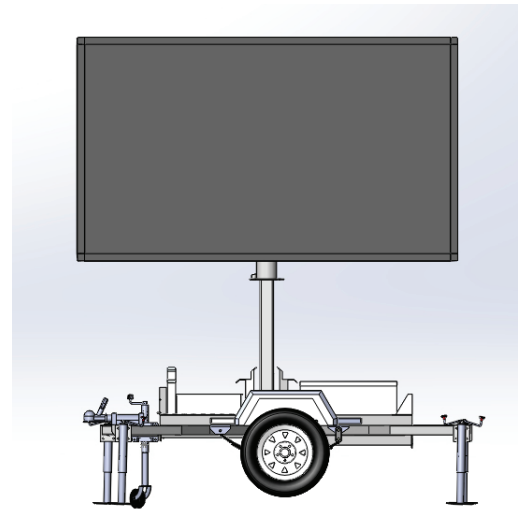
The INNOV8 Equipment full colour Video Board trailer consists of a fully galvanised steel chassis and trailer components. All control boxes and panels are painted white, and the sides and rear of the Video board head are painted black for contrast. The Video Board head is pushed vertically by an internal hydraulic cylinder, powered by the on board hydraulic power pack.

### Product Information

- » Full colour video screen
- » Display Area: 1536H x 2688W
- » Voltage: 230 Volt
- » Resolution: 240 x 240 Pixels
- » Pitch: 6.4mm
- » USB Connection Port
- » HDMI (DVI) Connection Port
- » Sound card to play video with audio
- » Hydraulic mast lifting system
- » Galvanized steel construction and trailer components for durability
- » GPS tracking
- » 3G connectivity and remote control via the internet
- » Intergrated light and temperature sensor
- » Australian Standard (AS 4852.2-2009)

### Advantages

- » High colour contrast with the same brightness
- » Support full colour video with colour grey for advertisement application
- » Modular design with optical lens design, EN12966 Certified, easier for installation and maintenance



Contact INNOV8 Equipment today

email [sales@innov8equipment.com.au](mailto:sales@innov8equipment.com.au)

phone 1300 071 007

[www.innov8equipment.com.au](http://www.innov8equipment.com.au)