

INNOV8 EQUIPMENT

Mounted Arrow Boards

For your custom traffic management needs.

Control traffic effectively with Light Vehicle Arrow Boards and Heavy Vehicle Arrow Boards.

Mounted Arrow Boards are easy to program and operate. With high visibility and low power consumption, efficiently inform road users of changes to traffic conditions. INNOV8 Equipment Mounted Arrow Boards are built to Australian standards, featuring automatic brightness control and full colour display.

Mounting

INNOV8 Equipment Arrow Boards can be mounted on any vehicles with varying installation options depending on the vehicle set up.

Operation

There are various modes of operation for the boards including:

- Arrow Right
- Arrow Left
- Double-Headed Arrow
- Non-Directional Warning/ Caution



Contact INNOV8 Equipment today

email sales@innov8equipment.com.au

phone 1300 071 007

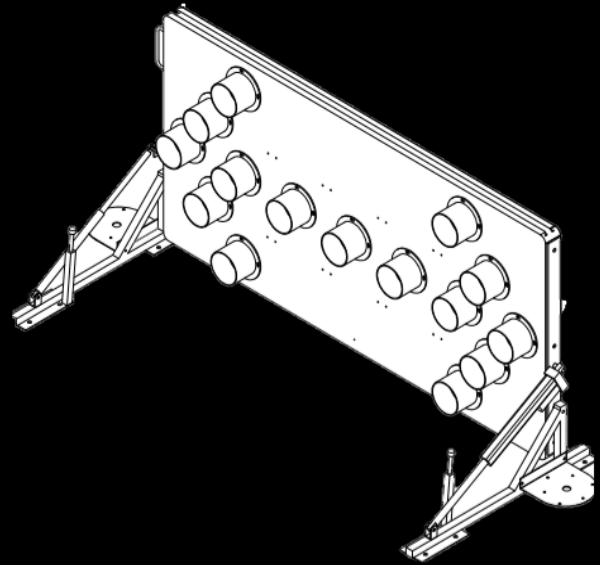
www.innov8equipment.com.au

INNOV8 EQUIPMENT

Mounted Arrow Boards

Light Vehicle Arrow Board

- » B Size
- » 15 LED Heads
- » LED Composition: 1R1G1B
- » Module: 24 X 24 Pixels; 400 X 400 mm (HXW)
- » Pixel Pitch: 16.6mm
- » Full Colour Display
- » Resolution: 48 x 96 Pixels (HXW)
- » Display Area: 800 x 1600 mm (HXW)
- » Brightness: 6000 cd/m²
- » With light sensor for auto brightness control
- » 150mm LED Lamps



Heavy Vehicle Arrow Board

- » C Size
- » 15 LED Heads
- » LED Composition: 1R1G1B
- » Module: 24 X 24 Pixels; 400 x 400 mm (HXW)
- » Pixel Pitch: 16.6mm
- » Full Colour Display
- » Resolution: 72 X 120 Pixels (HXW)
- » Display Area: 1200 X 2000 mm (HXW)
- » Brightness: 6000cd/m²
- » With light sensor for auto brightness control
- » 150mm LED Lamps



The user-friendly touch screen controller has a range of features:

- Beacons ON/OFF
- Worklights ON/OFF
- Actuator Controlled UP/DOWN
- 2 Beccan LED Lights Included
- Actuator Included Lifting Frame

Contact INNOV8 Equipment today

email sales@innov8equipment.com.au

phone 1300 071 007

www.innov8equipment.com.au