

INNOV8 EQUIPMENT

"A Size" VMS

Product Information

- » Full colour, LED VMS screen
- » Display Area: 960H x 1600W
- » Voltage: 12 Volt
- » Resolution: 48 x 80 Pixels
- » Pitch 20mm
- » Deep cycle batteries: 600AH
- » Solar panels: 220W
- » Solar controller
- » Hydraulic mast lifting system
- » Galvanized steel construction and trailer components for durability
- » SMS programming from your mobile phone
- » GPS tracking
- » AGD radar fitted as standard
- » 3G connectivity and remote control via the internet
- » Intergrated light and temperature sensor
- » Australian Standard (AS 4852.2-2009)



- ✓ Full Colour, LED Screen
- ✓ Solar Powered
- ✓ AGD Radar as standard

Advantages

- » Save 70% power consumption (max.) with the same brightness
- » Cost saving on solar panel and battery (reduced solar panel and battery capacities)
- » Higher colour contrast with the same brightness
- » Support full colour video with colour grey for advertisement application
- » Modular design with optical lens design, EN12966 Certified, easier for installation and maintenance
- » Solar controller



Contact INNOV8 Equipment today

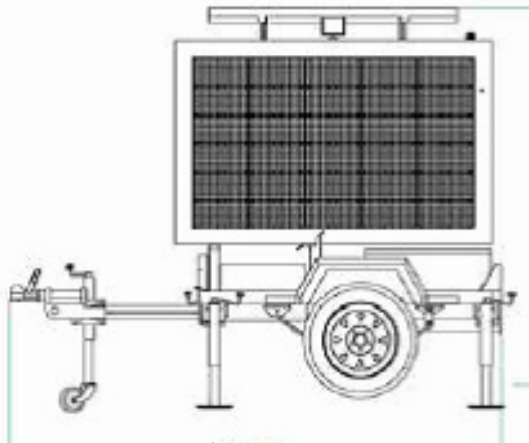
email sales@innov8equipment.com.au

phone 1300 071 007

www.innov8equipment.com.au

INNOV8 EQUIPMENT

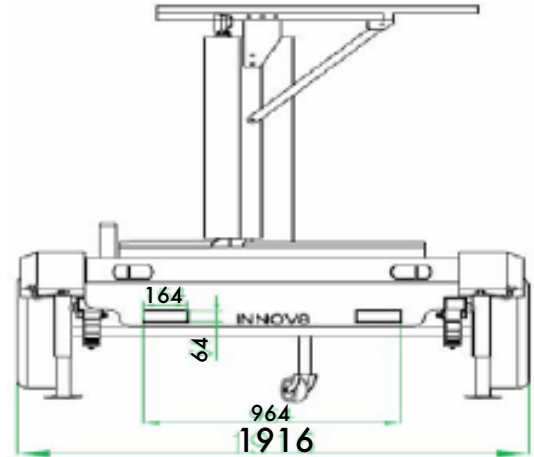
"A Size" VMS Board



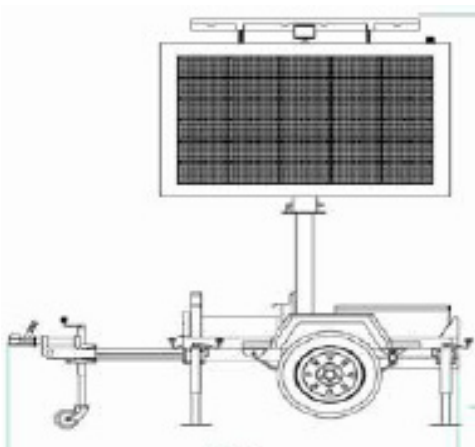
2134

2400 or Less

Draw Bar Fully Retracted



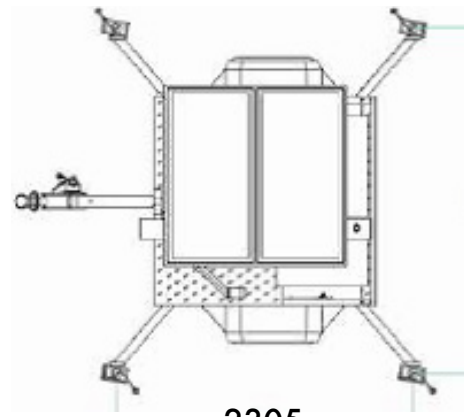
Transport Mode Rear View



2964

2808

Draw Bar Extended



2316

2305

Deployed for use, Top View

All control boxes, panels and the sides and rear of the VMS head are painted white for high visibility. The VMS head is pushed vertically by an internal hydraulic cylinder, powered by the on board hydraulic power pack.

Contact INNOV8 Equipment today

email sales@innov8equipment.com.au

phone 1300 071 007

www.innov8equipment.com.au